

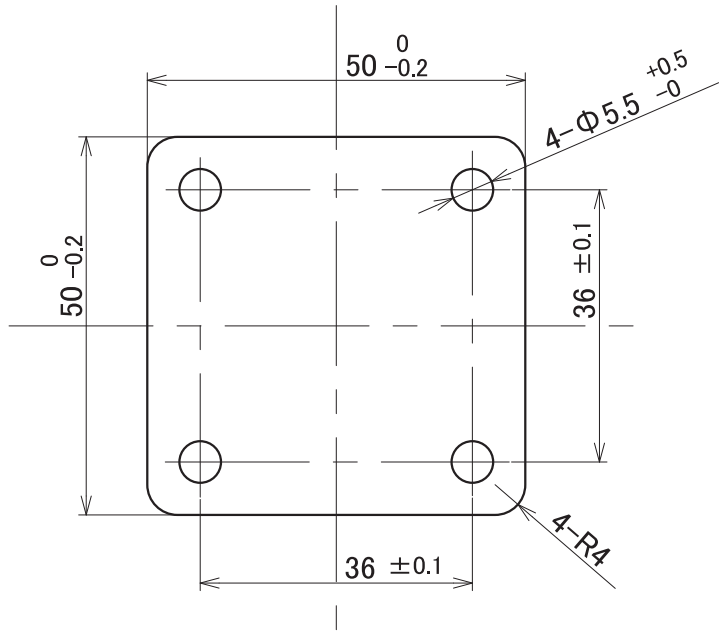
SPECIFICATIONS

Main material	① CPL-100 ② Duracon (POM)
Weight	Approx. 8g (including bushings)
Configuration	① Insulating sheet (with double-side tape) 1pc, ② Bushing (for M3) 4pcs

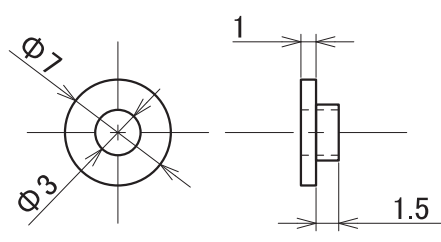
*Design and specifications are subject to change without notice.

DIMENSIONS

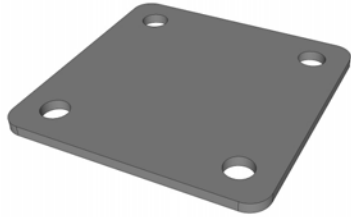
① Insulating sheet (with double-side tape)



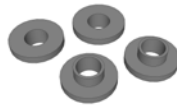
② Bushing (for M3)



CONFIGURATION



Insulating sheet (with double-side tape) 1pc

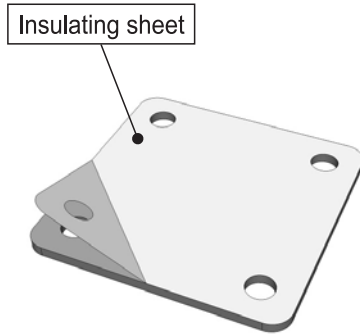


Bushing (for M3) 4pcs

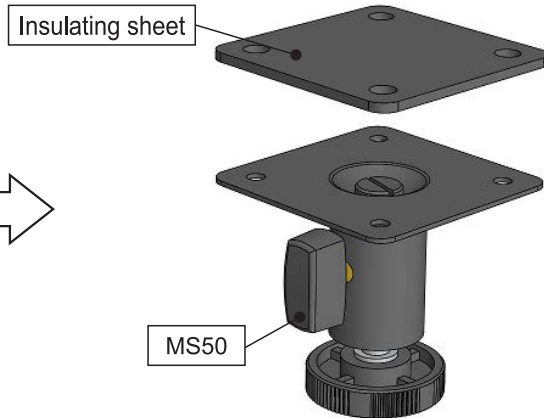


*Four M3 screws are not included

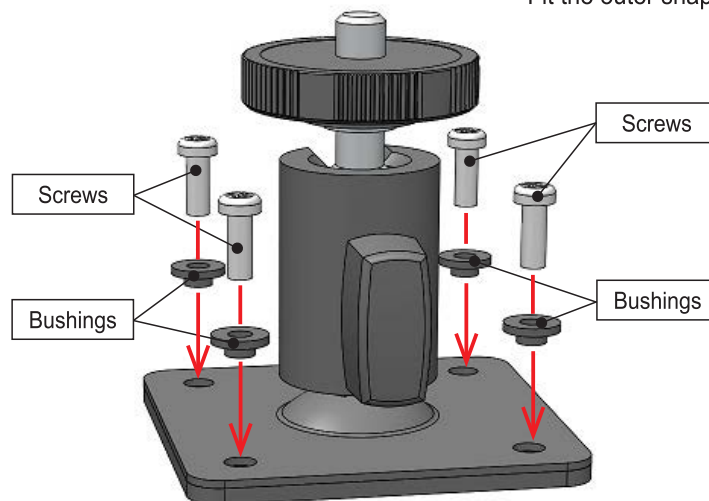
INSTRUCTION



Tear off the releasing paper from the double-side tape



Paste the sheet on the bottom of the MS50
*Fit the outer shape of the bottom



Insert the bushings in the correct direction as shown
*Use four M3 screws