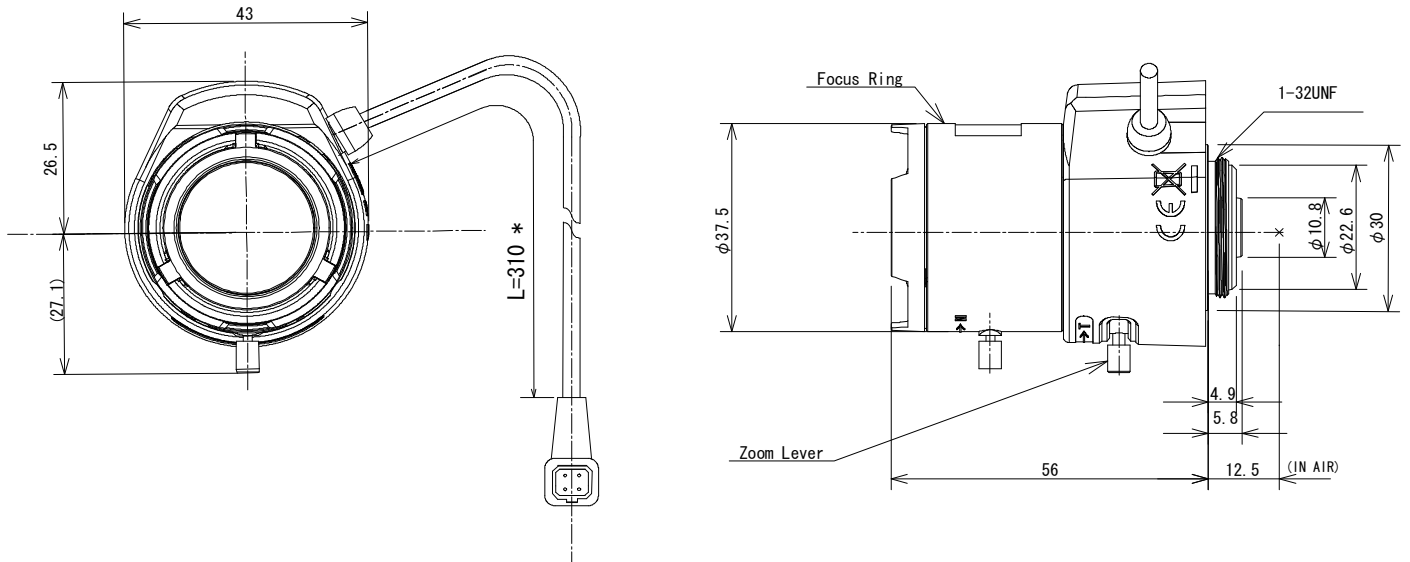


TG4Z2813FCS-IR-2

4X 2.8mm-12mm F1.3 Day & Night
for 1/3 type Cameras, Vari-focal Auto Iris DC Drive
CS-Mount

Model No.		TG4Z2813FCS-IR-2		Effective	Front	φ 23.0mm	
Focal Length		2.8mm - 12mm		Lens Aperture	Rear	φ 7.4mm	
Max. Aperture Ratio		1:1.3			Back Focal Length	Tele	19.2mm
Max. Image Format		4.8mm x 3.6mm (φ 6mm)		Mount		Wide	7.2mm
Operation Range	Iris	F1.3 - F360			Flange Back Length	12.5mm	
	Focus	0.3m - Inf.		Mount	CS-Mount		
	Zoom	2.8mm - 12mm		Filter Size	—		
Control	Iris	DC Auto Iris		Dimensions	φ 37.5mm x 48mm x 56mm		
	Focus	Manual		Weight	65 g		
	Zoom	Manual					
Angle of View	D	1/3 type	133.0° - 29.7°	1/4 type	95.0° - 22.3°		
	H		102.2° - 23.7°		74.2° - 17.8°		
	V		74.2° - 17.8°		54.7° - 13.3°		
Coil	Drive	190 Ω / 20°C					
	Control	855 Ω / 20°C					
Operating Temperature		-10°C - +50°C					

Dimensions



*: 90mm , 120mm cable is available

Wiring Diagram

