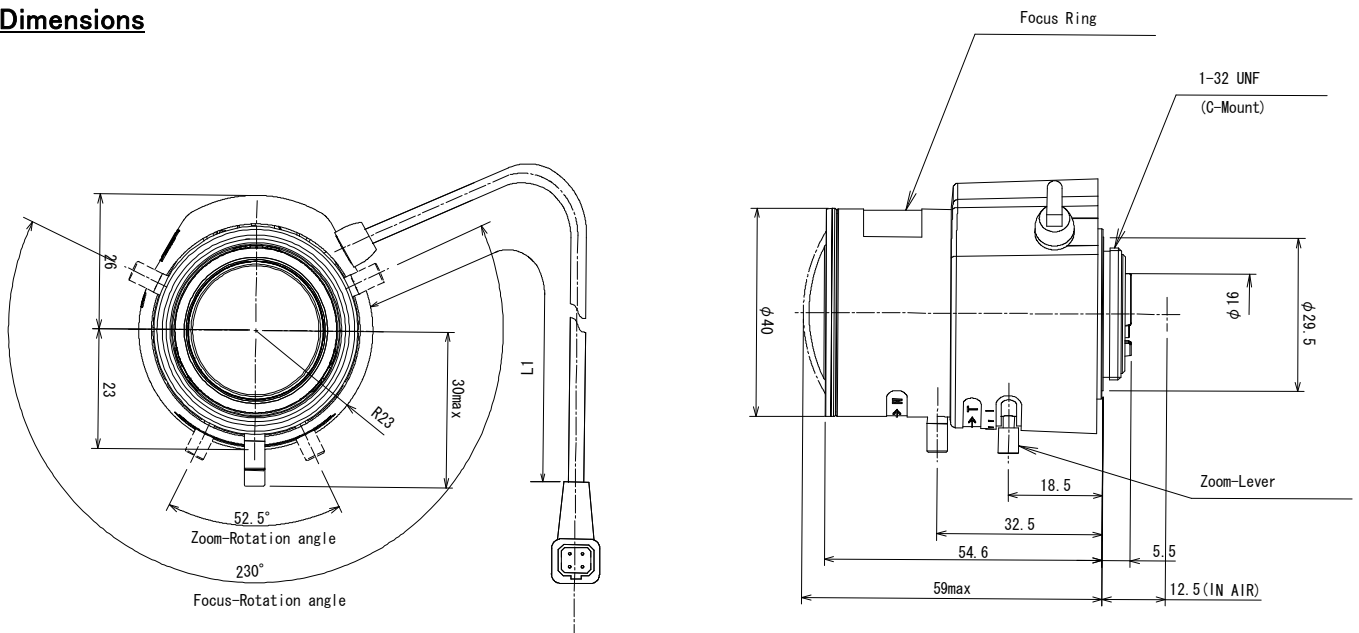


# AG3Z2812FCS-MPWIR

**3X 2.8mm-8.5mm F1.2 Day & Night**  
**for 1/2.7 type Megapixel Cameras, Vari-focal, Auto Iris DC Drive**  
**CS-Mount**

Model No.		AG3Z2812FCS-MPWIR		Effective	Front	$\phi$ 24.8mm	
Focal Length		2.8mm - 8.5mm		Lens Aperture	Rear	$\phi$ 8.4mm	
Max. Aperture Ratio		1:1.2		Back Focal Length	Tele	7.3mm	
Max. Image Format		3.2mm x 5.8mm( $\phi$ 6.6mm)			Wide	7.3mm	
Operation Range	Iris	F1.2 - F360C		Flange Back Length		12.5mm	
	Focus	0.5m - Inf.		Mount		CS-Mount	
	Zoom	2.8mm - 8.5mm		Filter Size		-	
Control	Iris	DC Auto Iris		Dimensions		$\phi$ 40 mm x 49 mm x 59 mm	
	Focus	Manual		Weight		67g	
	Zoom	Manual					
Angle of View	D	1/2.7 type	150.4° - 47.1°	1/3 type	130.4° - 42.8°	1/4 type	92.1° - 32.0°
	H		124.7° - 41.3°		99.1° - 34.1°		72.3° - 25.6°
	V		63.9° - 22.7°		72.3° - 25.6°		53.5° - 19.1°
Coil	Drive	190 $\Omega$ /20°C					
	Control	1310 $\Omega$ /20°C					
Operating Temperature		-10°C - +50°C					

**Dimensions**



**Wiring Diagram**

